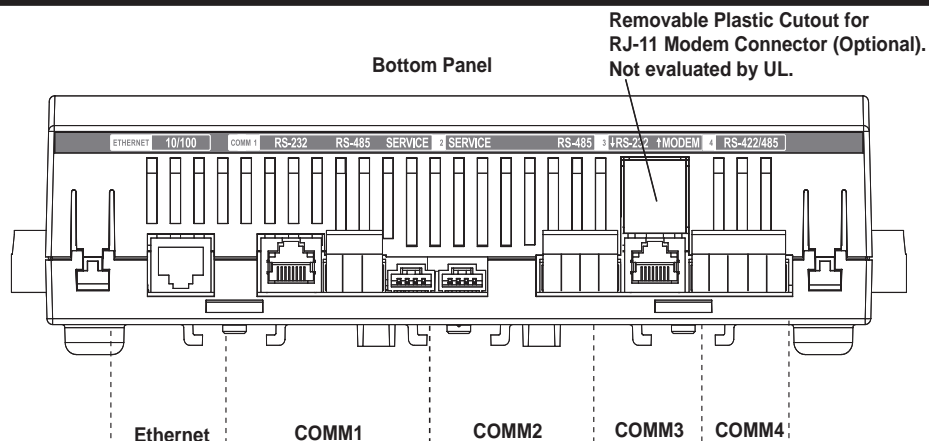
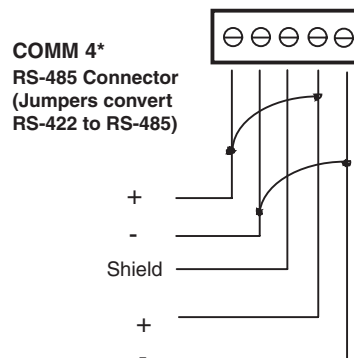
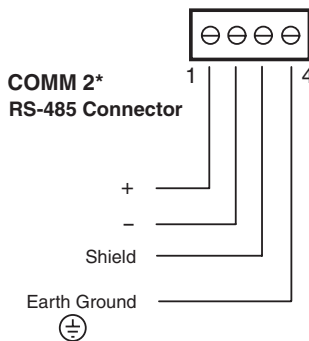
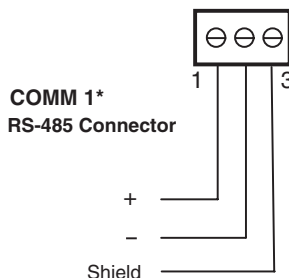
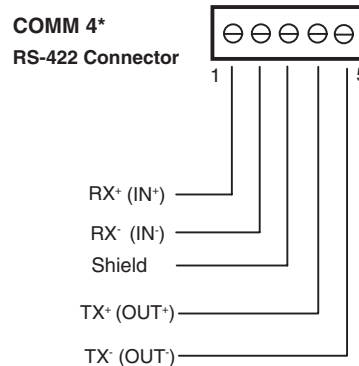
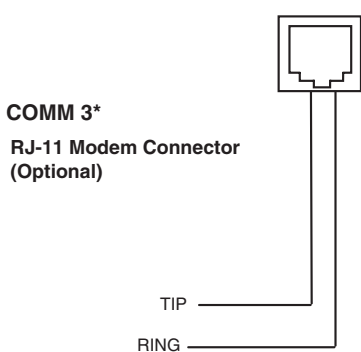
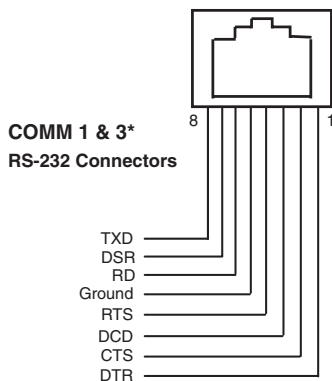
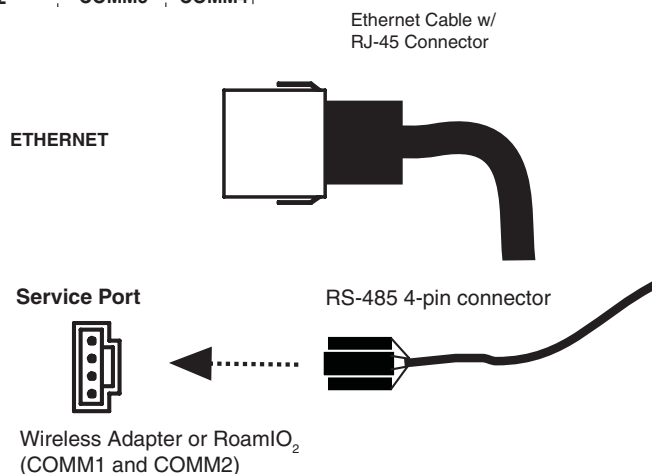


# Ethernet and Comm Port Connections



Port	Connector Interface
Ethernet	RJ-45 (Ethernet 10/100 BASE-T)
Comm1	RS-232
	RS-485 (3-pin)
	Service Port cable (Wireless Adapter or RoamIO <sub>2</sub> )
Comm2	Service Port cable (Wireless Adapter or RoamIO <sub>2</sub> )
	RS-485 (4-pin)
Comm3	RS-232
	(Optional) Modem (RJ-11)
Comm4	RS-422 (L-Bus) <b>or</b>
	RS-485 (5-pin)



\* The Ethernet connector has been evaluated by UL for UL294/UL1076. All other communication connectors have been evaluated by UL for "supplemental use."